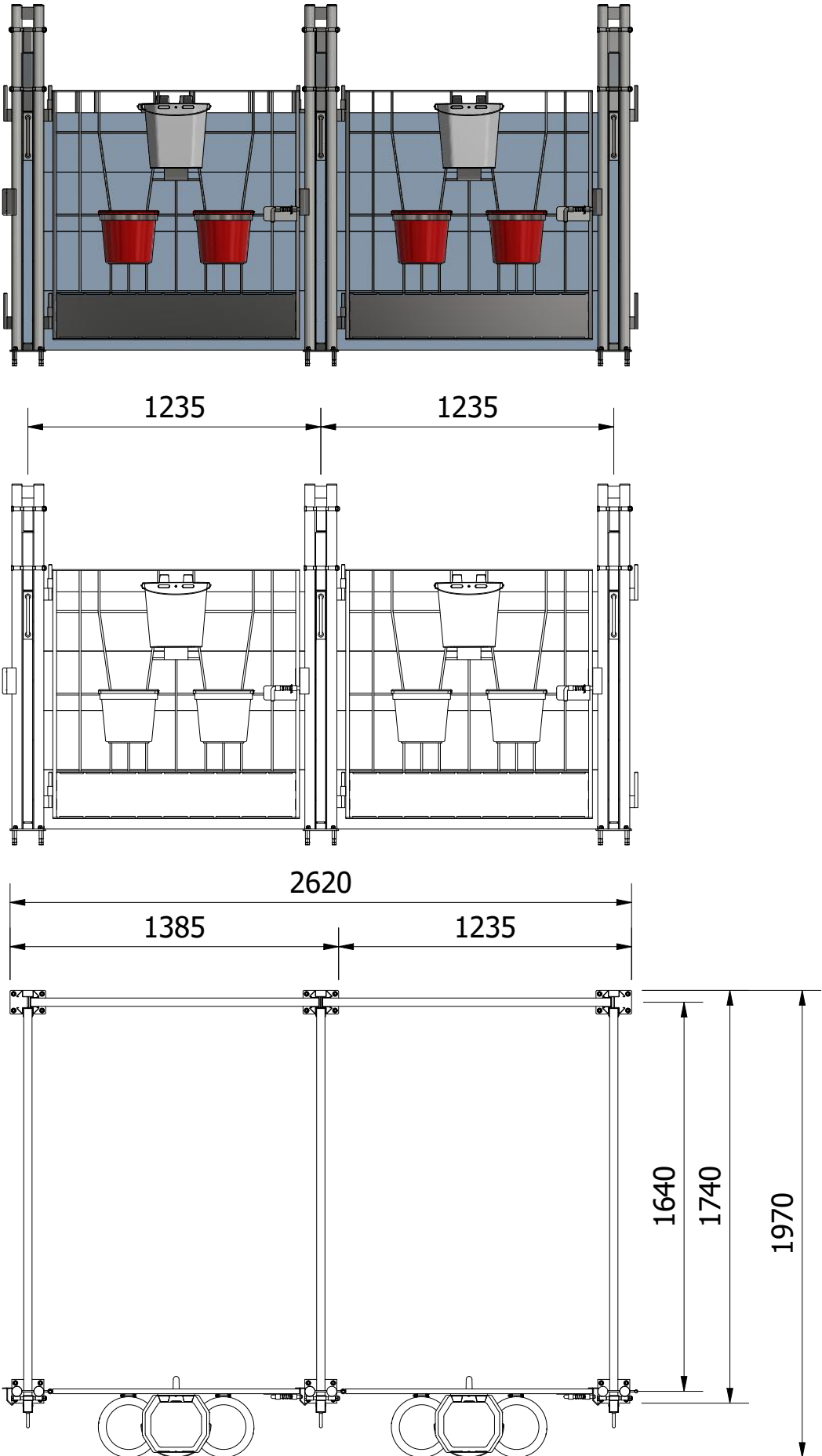
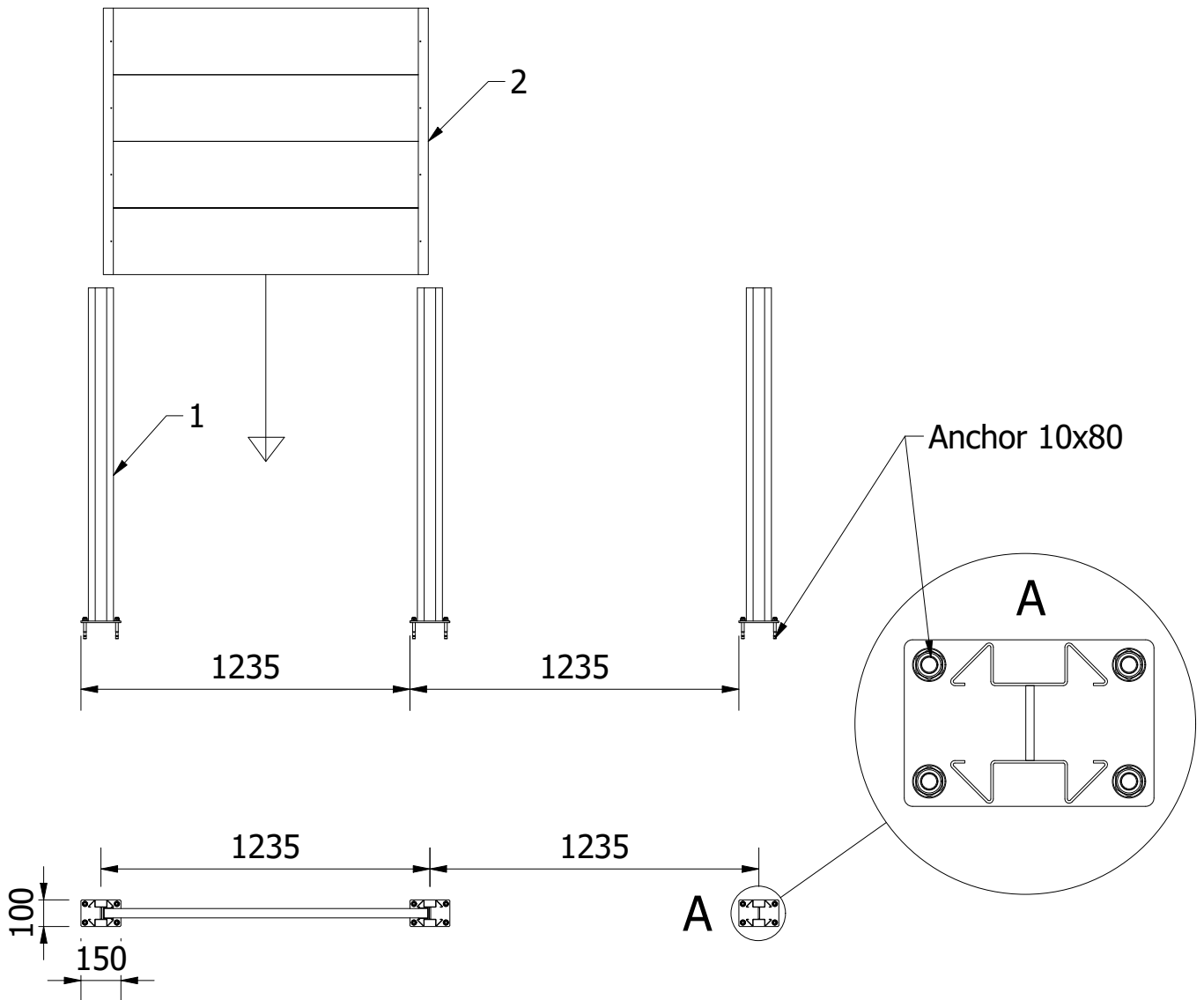


PLASTIC CALF BOX "Calf-house" plastic back wall

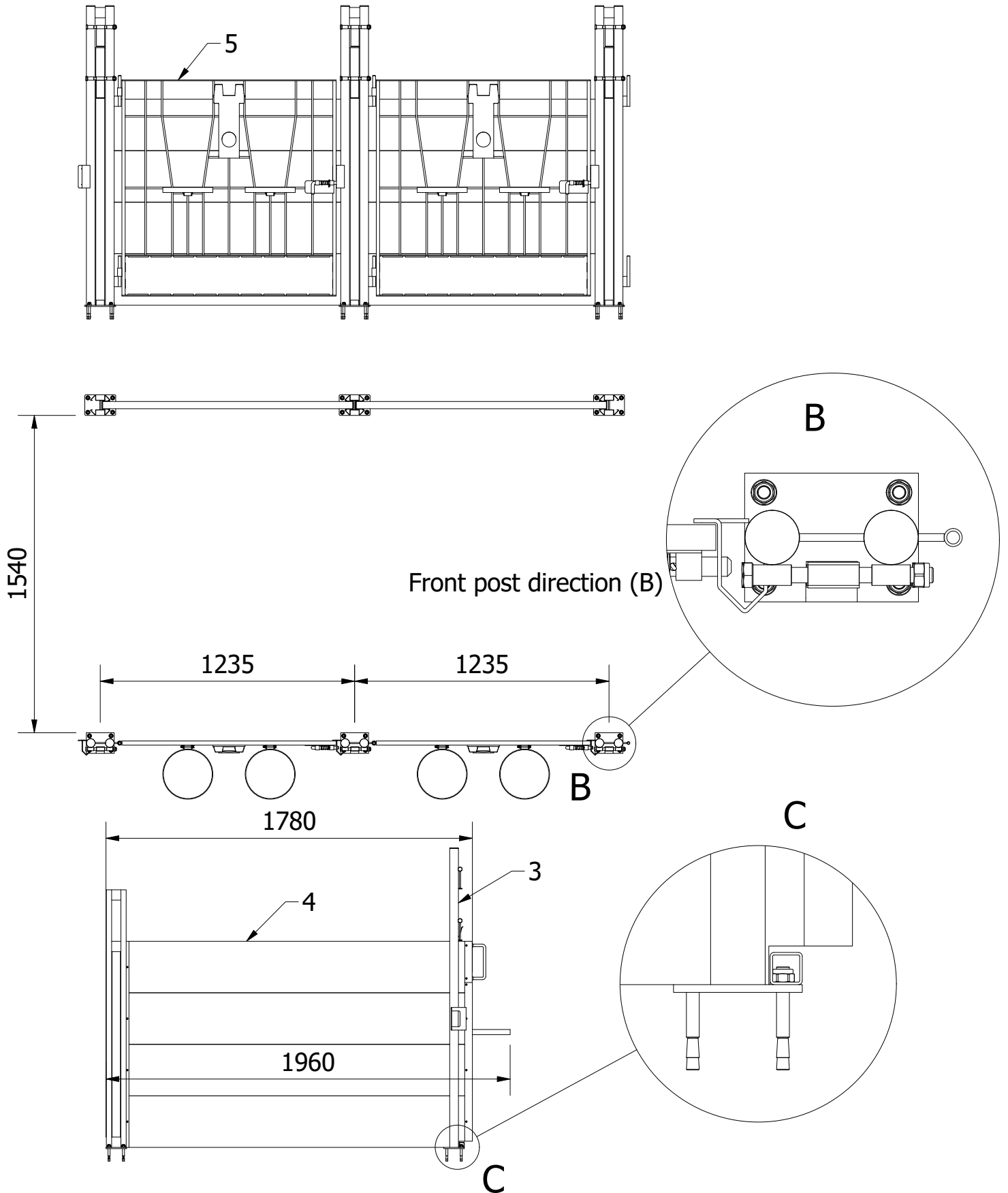


Plastic back wall installation



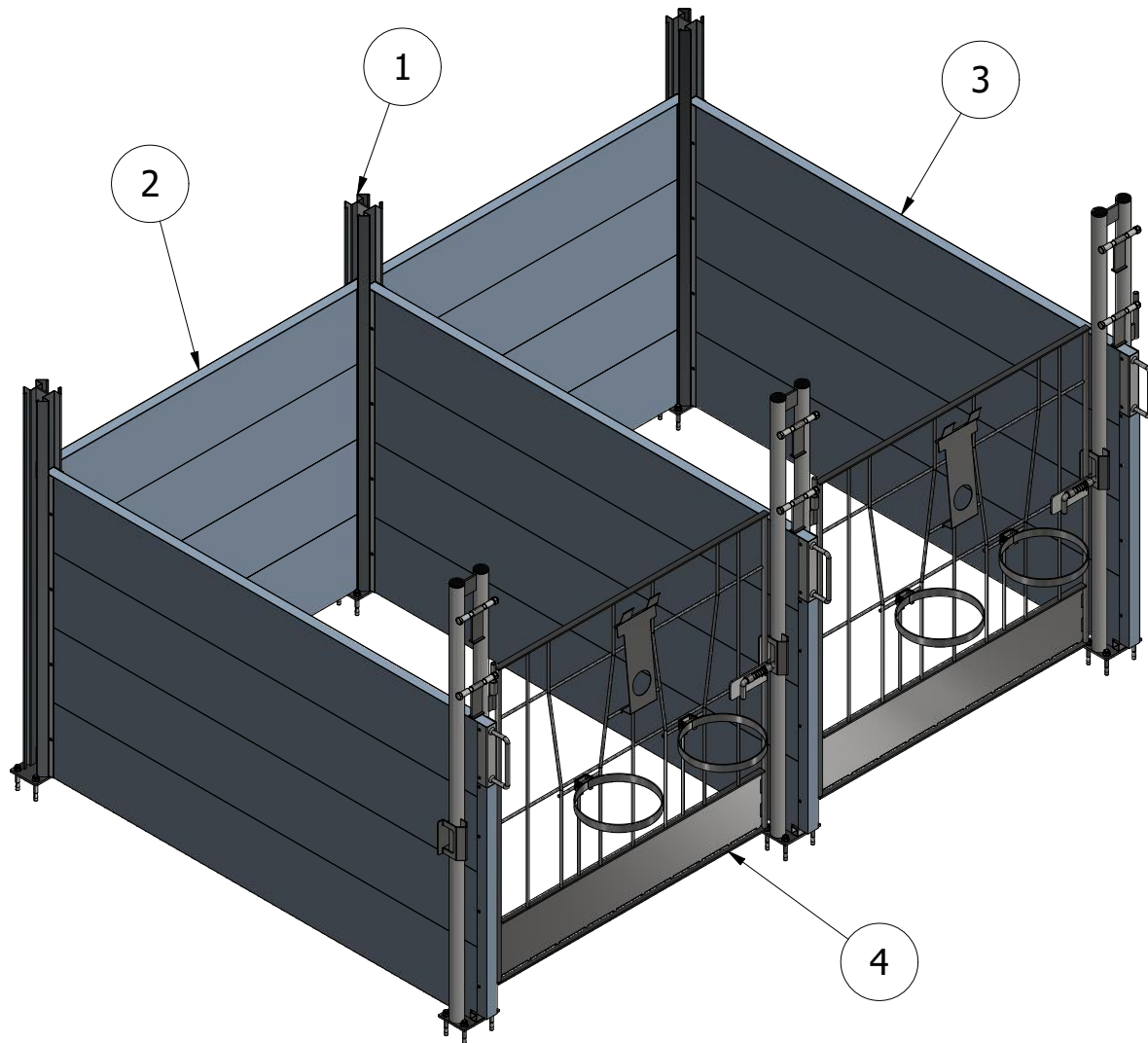
Install the back wall posts (1) and back walls (2) by sliding them into the drawers in the posts. Observe the position of the posts (A) in relation to the rear wall.

Installation of front posts and gates



Start the installation of the front wall posts (3) from the left post. To do this, you can use a partition (4) into which the stopwatch holes (C) have already been cut. Make sure that the partition is easily removable. After installing the gate (5) on the first post, continue installing the second post.

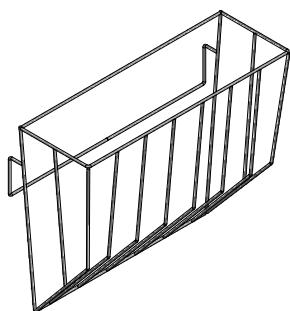
PLASTIC CALF BOX "Calf-house" **plastic back wall assembly**



The assembly list

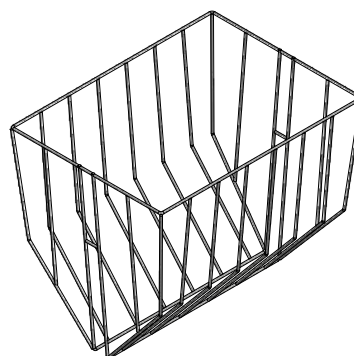
Nr.	Article	Title
1	K000329_070	Plastic calf box back wall post
2	K000330_080	Plastic calf box back wall 1000 x 1200 mm
3	K000332_080	Plastic calf box partition (1000 x 1700 mm) set for plastic back wall
4	K000289_080	Calf-House gate

Accessories



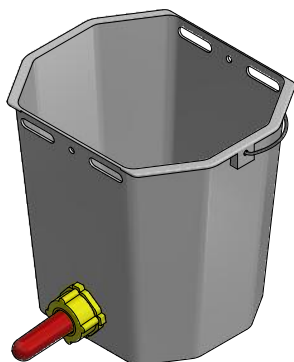
Art. no.
K000170_070

Product
Feed basket single



Art. no.
K000171_070

Product
Feed basket double



Art. no.
399970-000024

Product
Bucket with teat, 10l, transparent



Art. no.
399972-000008

Product
Cover for the 10l bucket with teat,
transparent



Art. no.
399693-000004

Product
Plastic bucket, 7l